

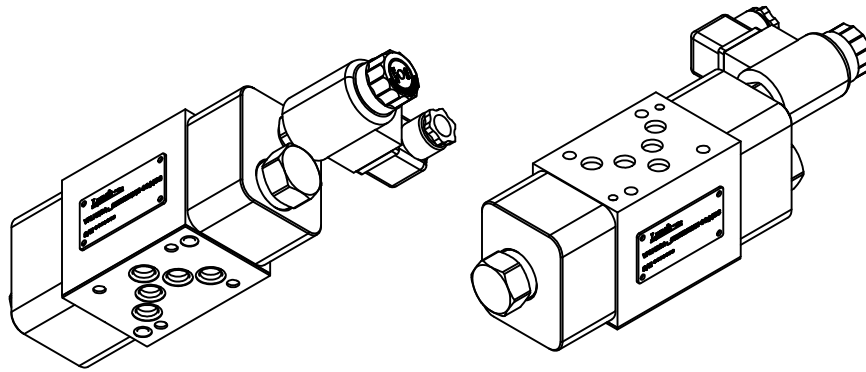
**Lynch**  
Fluid Controls Inc.

**PROPRIETARY NOTICE**  
THIS DRAWING DESCRIBES A PROPRIETARY PRODUCT OF LYNCH FLUID CONTROLS INC. WHICH MAY NOT BE REPRODUCED IN WHOLE OR IN PART NOR GIVEN TO A THIRD PARTY WITHOUT WRITTEN PERMISSION FROM LYNCH FLUID CONTROLS INC.

DATA UNIT: INCH  
3RD ANGLE PROJECTION

DWG NO	VPLMABA-_05HT22UAX-O&\$\$DS	REV	
MODEL CODE	VPLMABA-_05HT22UAX-O&\$\$DS		
TITLE	<b>Lockout Sandwich Module, Blocked on A &amp; B</b>		

Bill of Material		
ITEM	QTY	DESCRIPTION
1	1	Manifold Body
2	2	Normally closed, balanced poppet, logic element - pilot-to-open
3	1	Solenoid-operated directional spool valve - pilot capacity
4	1	Coil
5	1	Connector



**MODEL CODE BREAKDOWN**

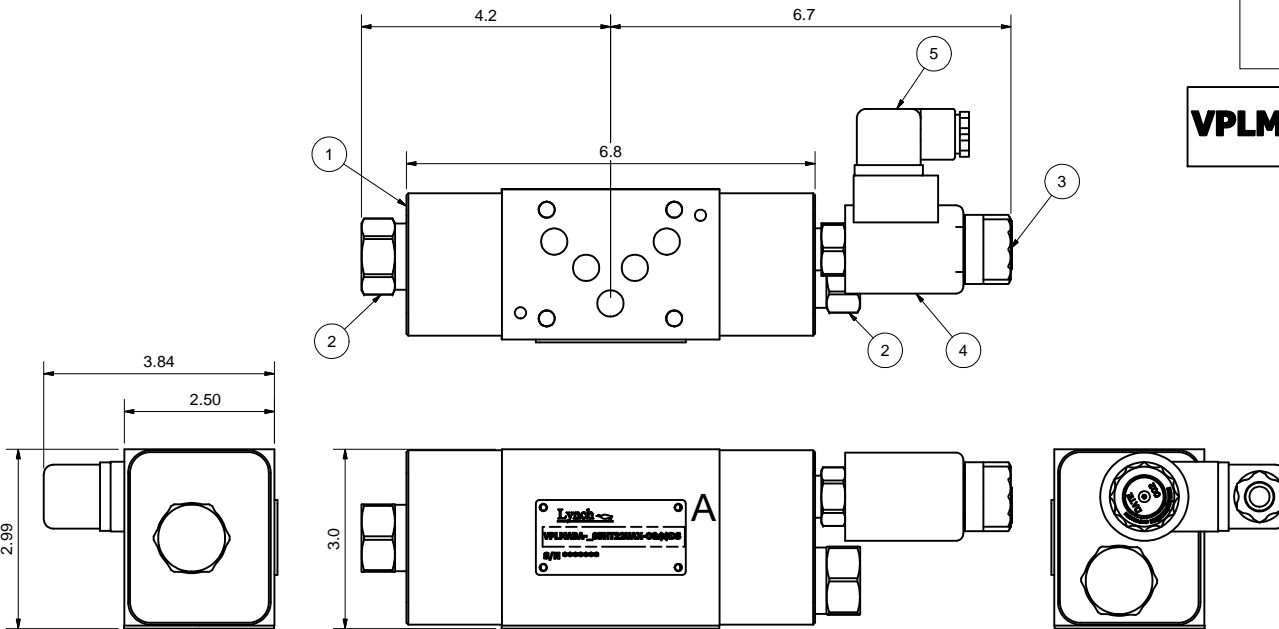
**Material Code ( \_ ):** "A" = Aluminum Body  
"D" = Ductile Iron Body

**Seal Code ( & ):** "N" = Buna-N  
"V" = Viton

**Coil Code ( \$\$ ):** "24" = 24 Vac  
"11" = 110 Vac

**VPLMABA-\_05HT22UAX-O&\$\$DS**

**DETAIL A**



**DESIGN PARAMETERS:**

- (1) **SYSTEM PRESSURE:** 3000 PSI MAX - Aluminum  
5000 PSI MAX - Ductile Iron
- (2) **SYSTEM DESIGN FLOW:** 30 GPM (NOMINAL)
- (3) **SYSTEM PRESSURE DROP:** 300 PSI PER VALVE @ 30 GPM
- (4) **PILOT PRESSURE:** 300 PSI MIN FOR FULL FLOW

**NOTE:**

VALVE WILL RESEAT WHEN EITHER THE SOLENOID IS DE-ENERGIZED AND/OR PILOT PRESSURE FALLS BELOW 145 PSI

DWG NO VPLMABA-\_05HT22UAX-O&\$\$DS

C

D

B

A