

5 GENERAL CHARACTERISTICS

Assembly position / location	Vertical position with the bowl downward	
Ambient temperature range	Standard = -20°C ÷ +70°C / PE option = -20°C ÷ +70°C	
Storage temperature range	Standard = -20°C ÷ +80°C / PE option = -20°C ÷ +80°C	
Materials	Filter head	Cast iron
	Filter bowl	Steel
Surface protection	Phosphatized	
Fatigue strength	min. 1 x 10 ⁶ cycles at 420 bar	

6 HYDRAULICS CHARACTERISTICS

Filter size	10						30					
	01	21	02	22	32	42	03	23	04	24	34	44
Port size code												
Ports dimensions: BSPP threaded	G3/4"		G1"				G1 1/4"		G1 1/2"			
SAE J1926-1 threaded						SAE-16						SAE-24
SAE 6000 with metric bolts		3/4"		1"				1 1/4"		1 1/2"		
SAE 6000 with UNC bolts					1"						1 1/2"	
Max operating pressure (bar)	420											
Max flow (1) (l/min)	R = filter with by-pass		75 ÷ 105				165 ÷ 300		170 ÷ 330			
	N = filter without by-pass		65 ÷ 90				145 ÷ 245		150 ÷ 260			
Direction of filtration	See the arrow on the filter head											

(1) Max flow rates are performed in following conditions:

- clean filter element
- filtration rating F10 (12 µm (c))
- Δp 1 bar
- min ÷ max filter length
- mineral oil with viscosity 32 mm²/s

In case of different conditions the max flow rates have to be recalculated - see section 10

7 FILTER ELEMENTS

Material		Inorganic microfibre
Filtration rating as per ISO16889	F03	$\beta_{4,5\mu m(c)} \geq 1000$
	F06	$\beta_{7,5\mu m(c)} \geq 1000$
	F10	$\beta_{12\mu m(c)} \geq 1000$
Filter element collapse pressure	R = for filter with by-pass valve	21 bar
	N = for filter without by-pass valve	210 bar

8 SEALS AND HYDRAULIC FLUIDS - for other fluids not included in below table, consult our technical office

Seals, recommended fluid temperature	NBR seals (standard) = -25°C ÷ +100°C, with HFC hydraulic fluids = +10°C ÷ +50°C FKM seals (/PE option) = -25°C ÷ +100°C		
Recommended viscosity	15 ÷ 100 mm ² /s - max allowed range 2.8 ÷ 500 mm ² /s		
Hydraulic fluid	Suitable seals type	Classification	Ref. Standard
Mineral oils	NBR, FKM	HL, HLP, HLPD, HVL, HVLDP	DIN 51524
Flame resistant without water	FKM	HFDU, HFDR	ISO 12922
Flame resistant with water	NBR	HFC	

9 ELECTRICAL DIFFERENTIAL CLOGGING INDICATORS

Differential switching	CID-E05	5 bar ± 10% for filters with by-pass valve
	CID-E08	8 bar ± 10% for filters without by-pass valve
Max pressure	450 bar	
Max differential pressure	200 bar	
Electric connection	Electric plug connection as per DIN 43650 with cable gland type PG7	
Power supply	CID*-L	24 V _{DC} ± 10%
	CID*-M	14 V _{DC} ÷ 30 V _{DC} 125 V _{AC} ÷ 250 V _{AC}
Max current - resistive (inductive)	5 A (4 A) ÷ 4 A (3 A)	5 A (3 A) ÷ 3 A (2 A)
Fluid temperature	-25°C ÷ +100°C	
Protection degree to DIN EN 60529	IP65 with mating connector	
Hydraulic connection	M20x1,5	
Duty factor	100%	
Mechanical life	1 x 10 ⁶ operations	
Mass (Kg)	0,16	
Electric scheme shown with switch position in case of clean filter element	<p>CID*-L</p>	<p>CID*-M</p>

10 FILTERS SIZING

For the filter sizing it is necessary to consider the Total Δp at the maximum flow at which the filter must work.

The Total Δp is given by the sum of filter head Δp plus the filter element Δp :

$$\text{Total } \Delta p = \text{filter head } \Delta p + \text{filter element } \Delta p$$

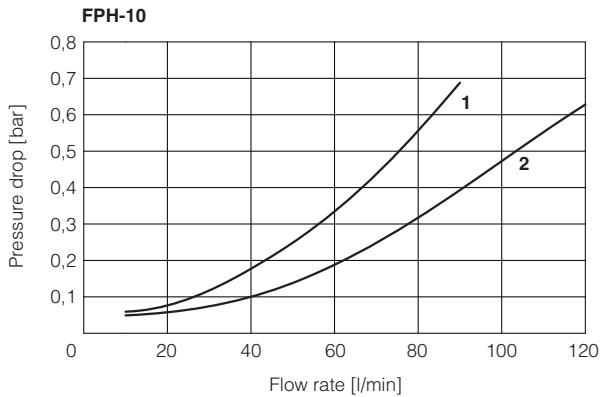
In the best conditions the total Δp should not exceed 1,0 bar

See below sections to calculate the Δp of filter head and Δp of the filter element

10.1 Q/ Δp DIAGRAMS OF FILTER HEAD

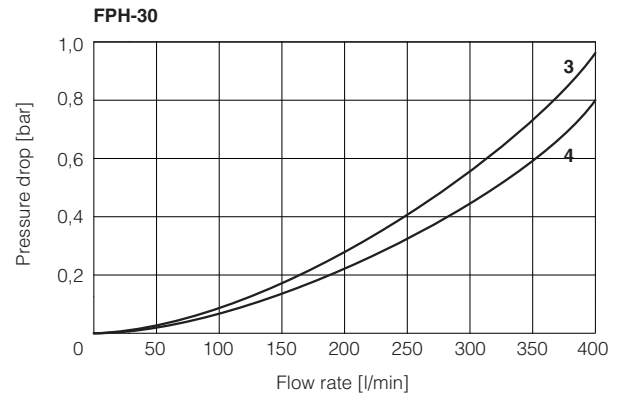
The pressure drop of filter head mainly depends on the ports size and fluid density

In the following diagrams are reported the Δp characteristics of filter head based on mineral oil with density 0,86 kg/dm³ and viscosity 30 mm²/s



1 = FPH-10*** 01 (G 3/4")
FPH-10*** 21 (3/4" SAE 6000)

2 = FPH-10*** 02 (G 1")
FPH-10*** 22 (1" SAE 6000)
FPH-10*** 32 (1" SAE 6000)
FPH-10*** 42 (1" SAE-16)



3 = FPH-30*** 03 (G 1 1/4")
FPH-30*** 23 (1 1/4" SAE 6000)

4 = FPH-30*** 04 (G 1 1/2")
FPH-30*** 24 (G 1 1/2" SAE 6000)
FPH-30*** 34 (G 1 1/2" SAE 6000)
FPH-30*** 44 (SAE-24)

10.2 FILTER ELEMENT Δp

The pressure drop through the filter depends to:

- size of filter element
- filtration rating
- fluid viscosity

The Δp of filter element is given by the formula:

$$\Delta p \text{ of filter element} = Q \times \frac{Gc}{1000} \times \frac{\text{Viscosity}}{30}$$

Q = working flow (l/min)

Gc = Gradient coefficient (mbar/(l/min)). The Gc values are reported in the following table

Viscosity = effective fluid viscosity in the working conditions (mm²/s)

Gradient coefficient Gc of PSH filter elements

Filter element size		10		30			
Filter element lenght		A	B	A	B	C	D
Filter element type	Filtration rating	Gc Gradient coefficient					
R for filter with bypass valve	F03	27.75	15.25	14	7.13	4.7	3.62
	F06	15.12	7.58	8.03	3.37	2.2	1.89
	F10	9.37	4.91	4.43	2.33	1.5	1.12
N for filter without bypass valve	F03	32.2	17.32	16.48	8.13	5.5	4.71
	F06	22.38	9.41	11.88	4.18	3.28	2.91
	F10	11.2	6.27	5.27	3.45	2.36	2.15

Example:

calculation of Total Δp for filter type FPH-30-C-F06-04-R at Q = 200 l/min and viscosity 46 mm²/s (filter element PSH-30-C-F06-R)

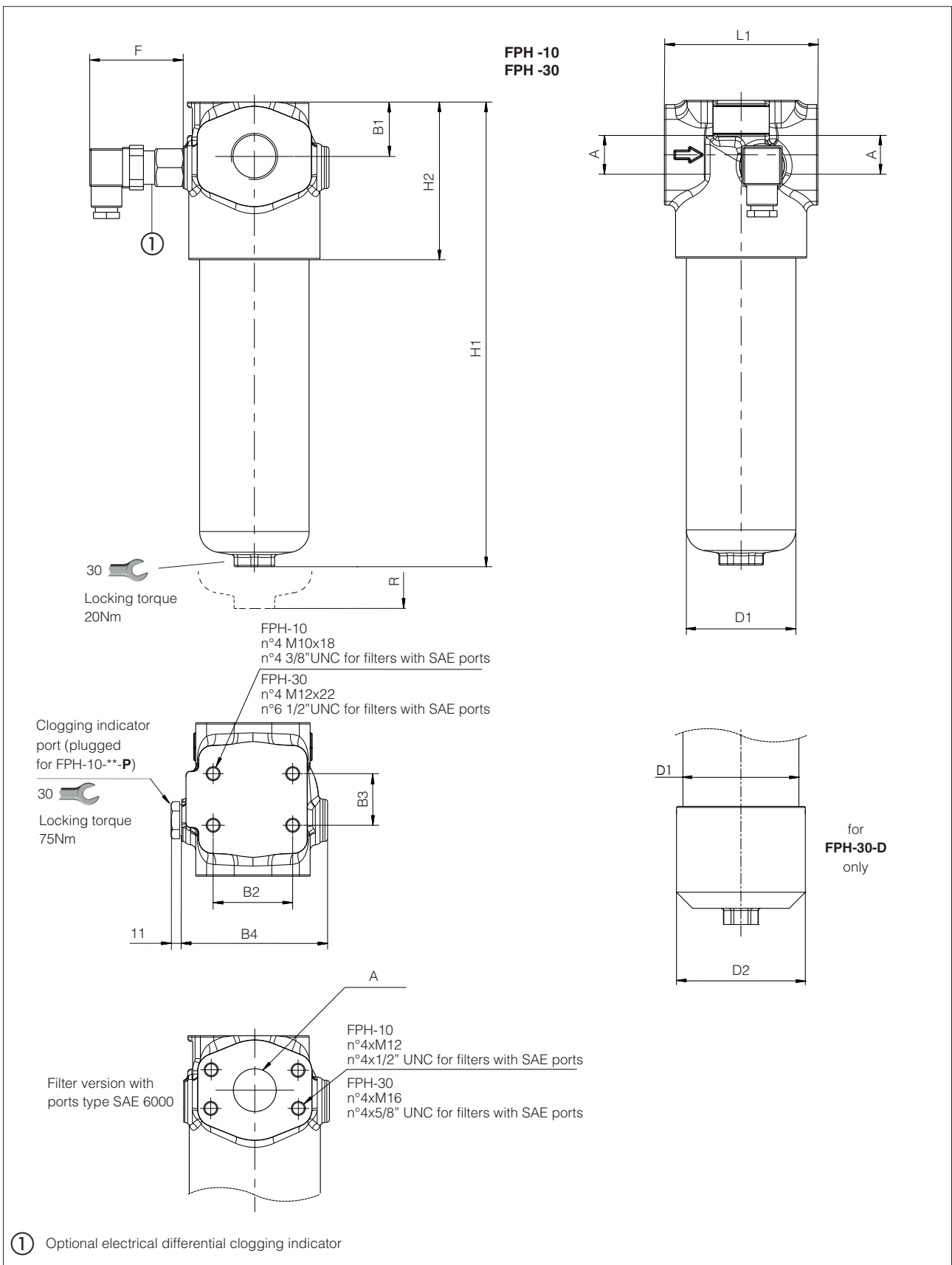
Δp of filter head = 0,22 bar

Gc = 2,2 mbar/(l/min)

$$\text{Filter element } \Delta p = 200 \times \frac{2,2}{1000} \times \frac{46}{30} = 0,68 \text{ bar}$$

Total Δp = 0,22 + 0,68 = 0,90 bar

11 INSTALLATION DIMENSIONS OF FPH FILTERS [mm]

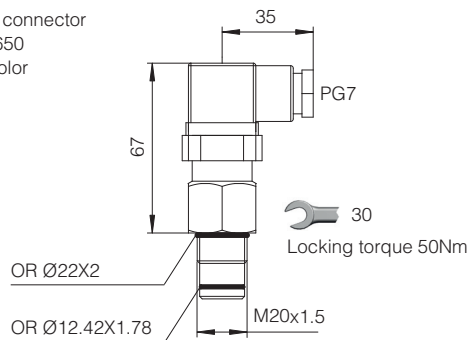


Code	A	B1	B2	B3	B4	D1	D2	F	H1	H2	L1	R	Mass (Kg)
FPH-10-A	see sect. 6 for available port size	39	57	37	105	78,5	-	68	222	113	110	130	6,7
FPH-10-B									333				8,4
FPH-30-A		47	76	64	140	107			262	13,2			
FPH-30-B									355	15,5			
FPH-30-C									475	18,4			
FPH-30-D									568	22,8			

12 DIMENSIONS OF ELECTRICAL DIFFERENTIAL CLOGGING INDICATORS

CID-E05-M CID-E08-M

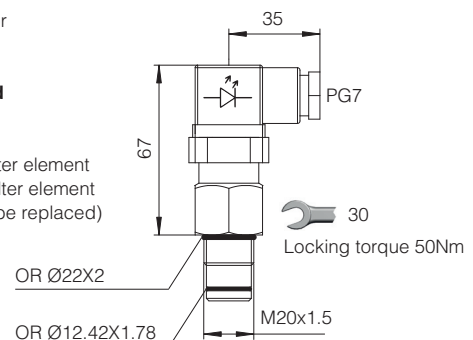
Electric connector
DIN 43650
Black color



CID-E05-L CID-E08-L

Electric connector
DIN 43650
Transparent
with internal Led

Led signal:
Green = clean filter element
Red = clogged filter element
(filter element to be replaced)



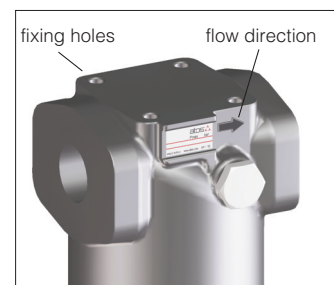
Note: the electrical connector can be oriented at steps of 90°

13 INSTALLATION AND COMMISSIONING

The max operating pressure of the system must not exceed the max working pressure of the filter.
During the filter installation, pay attention to respect the flow direction, shown by the arrow on the filter head.
The filter should be preferably mounted with the housing downward.
The filter head should be properly secured using the threaded fixing holes on the filter head.
Make sure that there is enough space for the replacement of the filter element.
Never run the system without the filter element.
For filters ordered with clogging indicator, code L or M:

- remove the plastic plug from the indicator port on the filter head
- install the clogging indicator and lock it at the specified torque

During the cold start up (fluid temperature lower than 30°C), a false clogging indicator signal can be given due to the high fluid viscosity.



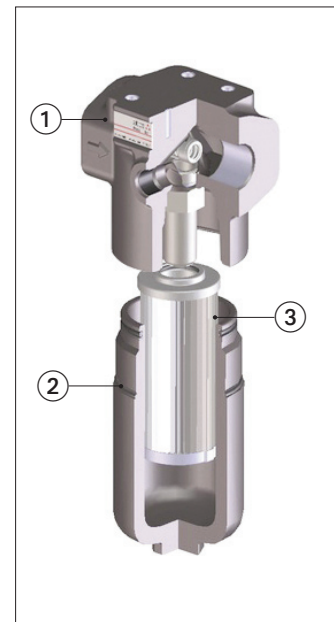
14 MAINTENANCE

The filter element must be replaced as soon as the clogging indicator switches to highlight the filter clogged condition
For filters without clogging indicator, the filter element must be replaced according to the system manufacturer's recommendations.
Select the new filter element according to the model code reported on the filter nameplate, see section 14.1
For the replacement of the filter element, proceed as follow:

- releases the system pressure; the filter has no pressure bleeding device
- pay attention to the fluid and filter surface temperature. Always use suitable gloves and protection glasses
- unscrew the bowl ② from the filter head ① by turning counterclockwise (view from bottom side)
- remove the dirty filter element ③ pulling it carefully
- lubricate the seal of new filter element and insert it over the spigot in the filter head
- clean the bowl internally, lubricate the threads and screw by hand the bowl to the filter head by turning clockwise (view from bottom side). Tighten at the recommended torque.



WARNING: The dirty filter elements cannot be cleaned and re-used. They are classified as "dangerous waste material", then they must be disposed of by authorized Companies, according to the local laws.



14.1 FILTER IDENTIFICATION NAMEPLATE



- ① Model code of complete filter
- ② Model code of filter element
- ③ Max working pressure
- ④ Filter matrix code